

INLG16124KN4TT

16 Channel 4 TB 4K NVR Bundle
with 12 x 4.1MP TURRETS

LiteAI
Edge Analytics



Camera Features

- High quality image with 4MP, 1/3" CMOS sensor
- Starlight ultra-high image quality in low light environments
- H.265+ & H.264 encoding
- 120dB true WDR technology
- Supports Micro SD card up to 256GB
- Smart IR, up to 30m (98ft) IR distance
- Perimeter protection functions: cross-line detection, intrusion detection, and more

NVR Features

- Supports H.265+ / H.265 / H.264 compression
- 16-Channel input
- Up to 8 Megapixels resolution recording
- HDMI and VGA simultaneous output
- 2 SATA HDDs, Up to 10TB per HDD
- Supports cloud upgrade
- Plug & Play with easy 16-port PoE
- ANR improves storage reliability during outages

*Design and specifications are subjects to change without notice.



INLG16124KN4TT

Product Specifications

Camera: INLGTO4IRWF

4.1 MP Vandal Proof Fixed Turret

Camera					
Image Sensor	1/3", 4.0 megapixel, progressive scan, CMOS				
Scanning System	Progressive				
Electronic Shutter Speed	Auto/Manual, 1 ~ 1/100 000s				
Minimum Illumination	Color: 0.002Lux (F1.6, AGC ON) / 0 Lux with IR on				
S/N Ratio	More than 56dB				
IR Distance	Distance up to 30M (98ft)				
IR On/Off Control	Auto/Manual				
Wide Dynamic Range	120dB				
Camera Features					
Day/Night	IR-cut filter with auto switch (ICR)				
Backlight Compensation	Supported				
White Balance	Auto / Outdoor / Fine Tune / Sodium Lamp / Locked				
Noise Reduction	2D/3D DNR				
Features	HLC; BLC; Corridor Mode				
Defog	Digital Defog				
Privacy Masking	Up to 4 areas				
OSD	Up to 8 OSDs				
Smart IR	Supported				
Motion Detection	Up to 4 areas				
Lens					
Lens Type	Fixed				
Focal Length	2.8mm				
Viewing Angle	H: 101.1°; V: 55.3°; O: 111.1°				
Pan/Tilt/Rotate	Pan: 0° ~ 360°; Tilt: 0 ~ 80°; Rotate: 0° ~ 360°				
DORI Distance	Lens (mm)	Detect	Observe	Recognize	Identify
	2.8	63.0m	25.2m	12.6m	6.3m
Video					
Compression	H.265+ / H.265 / H.264 / MJPEG				
H.264 code profile	Baseline profile, Main profile, High profile				
Frame Rate	Main Stream: 4MP (2688 x 1520) Max 30fps; 4MP (2560 x 1440) Max 30fps; 3MP (2304 x 1296) Max 30fps; 1080P (1920 x 1080) Max 30fps				
	Sub Stream: 720P (1280 x 720) Max 30fps; D1 (720 x 576) Max 30fps; 640x360 Max 30fps; 2CIF (704 x 288) Max 30fps; CIF (352 x 288) Max 30fps				
	Third Stream: D1 (720 x 576) Max 30fps; 640 x 360 Max 30fps; 2CIF (704 x 288) Max 30fps; CIF (352 x 288) Max 30fps				
Bit Rate	128 Kbps ~ 16 Mbps				

*Design and specifications are subjects to change without notice.



INLG16124KN4TT

Product Specifications

Camera: INLGTO4IRWF

4.1 MP Vandal Proof Fixed Turret

Network	
Ethernet	1 RJ45 10M/100M Base-TX Ethernet
Protocol	IPv4, IPv6, IGMP, ICMP, ARP, TCP, UDP, DHCP, PPPoE, RTP, RTSP, RTCP, DNS, DDNS, NTP, FTP, UPnP, HTTP, HTTPS, SMTP, 802.1x, SNMP, QoS, RTMP, SSL/TLS, SSH
Compatibility	ONVIF (Profile S, Profile G, Profile T), API, SDK
Security	Export operation logs, Basic and digest authentication for RTSP, Digest authentication for HTTP, TLS 1.2, WSSE and digest authentication for ONVIF, Password protection, Strong password, HTTPS encryption
Management Software	LEGEND VMS / ARKIV
Audio	
Audio Compression	G.711
Suppression	Supported
Sampling Rate	8KHZ
Microphone	Built-in Mic
Storage	
Edge Storage	Micro SD slot, up to 256 GB
Network Storage	ANR, NAS(NFS)
AI	
Intrusion	Line Crossing detection, Intrusion detection, Exiting an Area detection, Enter Area detection, false alarm filtering
Analysis of the passing flow	Support people flow counting and crowd density monitoring
Smart Features	
Detection	Motion detection, tampering alarm, audio detection
General Functions	Watermark, IP address filtering, tampering alarm, alarm input, alarm output, access policy, ARP protection, RTSP authentication, user authentication
Certifications	
Certifications	CE LVD (EN 62368-1:2014+A11:2017) UL (UL 62368-1, 2nd Ed., Issue Date: 2014-12-01) FCC (FCC CFR 47 part15 B, ANSI C63.4-2014)
General	
Power Supply	DC 12V ± 25%, PoE (IEEE 802.3af)
Power Consumption	Less than 4W
Working Environment	-30° C ~ +60° C / Less than 95% RH
Ingress Protection	IP67
Surge Protection	4KV
Material	Metal
Weight	0.42kg (0.93lb)
Dimensions	Φ110.5 x 94.1mm (Φ4.4" x 3.7")



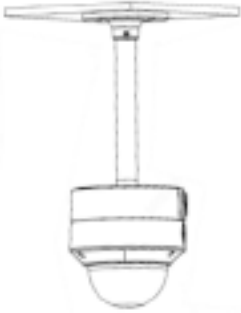
*Design and specifications are subjects to change without notice.



INLG16124KN4TT

Camera: INLGTO4IRWF
4.1 MP Vandal Proof Fixed Turret

Product Specifications

Junction Mount XLGJB03-G

Pole Mount XLGJB07/WM03-G

Ceiling Mount XLGCM24 + XLGJB03-G




XLGJB07/WM03-G
Wall Mount



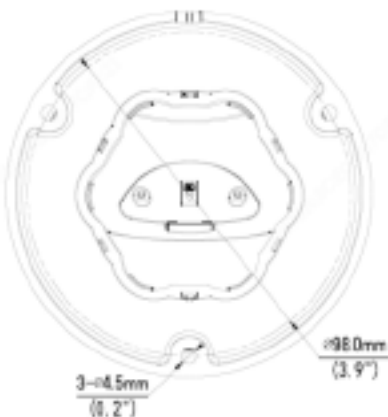
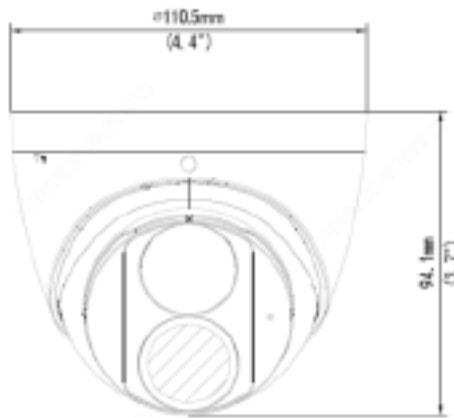
XLGJB03-G
Junction Box



XLGWM03-D
Wall Mount



XLGA01-IN
Waterproof Joint



XLGCM24
Ceiling Mount



VUSD256G
Micro SD Card

*Design and specifications are subjects to change without notice.



INLG16124KN4TT

Product Specifications

NVR: INLG161624KN 16-Channel 4K NVR

System	
IP Video Input	16-Channel
Two-way Audio Input	1-Channel, RCA
Network	
Incoming Bandwidth	160Mbps
Outgoing Bandwidth	64Mbps
Remote Users	128
Protocols	TCP/IP, P2P, UPnP, NTP, DHCP, PPPoE, HTTP, HTTPS, DNS, DDNS, SNMP, SMTP
Video/Audio Output	
HDMI/VGA Output	HDMI: 3840 x 2160 at 30fps; 1920 x 1080 at 60fps; 1920 x 1080 at 50fps; 1600 x 1200 at 60fps; 1280 x 1024 at 60fps; 1280 x 720 at 60fps; 1024 x 768 at 60fps
	VGA: 1920 x 1080 at 60fps, 1920 x 1080 at 50fps, 1280 x 1024 at 60fps, 1280 x 720 at 60fps, 1024 x 768 at 60fps
Recording Resolution	8MP / 6MP / 5MP / 4MP / 3MP / 1080p / 960p / 720p / D1 / 2CIF / CIF
Audio Output	1-Channel, RCA
Audio Compression	G.711A, G.711U
Synchronous Playback	16-Channel
Liveview Display	1 / 4 / 6 / 8 / 9 / 16
Corridor Mode Screen	3 / 4 / 5 / 7 / 9 / 10 / 12 / 16
Decoding	
Decoding Format	H.265+ / H.265 / H.264
Liveview/Playback	8MP / 6MP / 5MP / 4MP / 3MP / 1080p / 960p / 720p / D1 / 2CIF / CIF
Capability	2 x 4K at 30fps, 4 x 4MP at 30fps, 5 x 3MP at 30fps, 8 x 1080P at 30fps, 16 x 720P at 30fps
Hard Disk	
SATA HDD	Up to 2 SATA HDDs
Storage	Up to 10TB for each disk
Smart Features	
Camera Smart Detection	Auto Tracking, Intrusion Detection, Cross Line Detection, Enter Area, Leave Area, Defocus Detection, Scene Change Detection, Object Left Behind, Object Removed
Smart Search	Behavior Search
People Counting	People Flow Counting, Crowd Density Monitoring
Smart Intrusion Prevention	8-Channel
Alarms	
Trigger Events	Motion, Tampering, Human Body Detection, Video Loss, Alarm Input, Audio Detection, IP Conflict, Network Disconnected, Disk Offline, Disk Abnormal, Illegal Access, Hard Disk Space Low, Hard Disk Full, Recording/Snapshot Abnormal

*Design and specifications are subjects to change without notice.

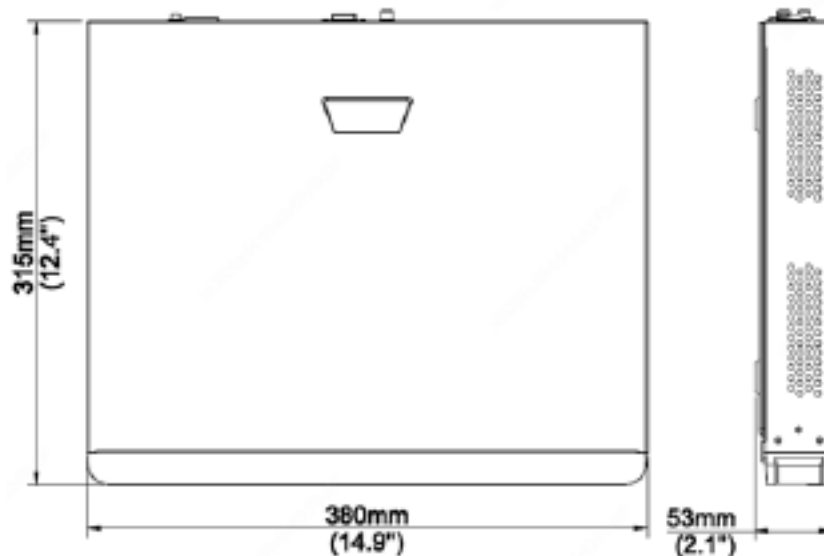


INLG16124KN4TT

NVR: INLG161624KN
16-Channel 4K NVR

Product Specifications

External Interface	
Network Interface	1 RJ45 10M/100M self-adaptive Ethernet Interface
USB Interface	Front panel: 1 x USB2.0, Rear panel: 1 x USB 3.0
Alarm In/Out	4-Channel / 1-Channel
ONVIF	
ONVIF conformance	Profile S, Profile G, Profile T and RTSP protocols
PoE	
Interface	16 RJ-45 10M/100M self-adaptive Ethernet Interface
Maximum Capacity	Max: 30W for single port Max: 240W in total
Supported Standard	IEEE 802.3af/at
Certifications	
Certifications	CE, FCC, UL, RoHS, WEEE
CE	EN 55032: 2015, EN 61000-3-3: 2013, EN IEC 61000-3-2: 2019, EN 55035: 2017
FCC	Part15 Subpart B, ANSI C63.4
General	
Power Supply	100 ~ 240 V AC / Power Consumption: Less than 10W (without HDD)
Working Environment	-10°C to +55°C; Less than 90% RH (non-condensing)
Dimensions (WxDxH)	380mm × 315mm × 53mm (14.9" × 12.4" × 2.1")
Weight (without HDD)	5.73 lbs (Up to 2.6kg)



*Design and specifications are subjects to change without notice.

